

D-Series

Single Pole Toggle Switches

The D-Series single pole compact high current toggle switches are ideal for applications with back panel size constraints. These switches feature self-cleaning contacts and ratings up to 20A 125VAC, 10A 250VAC, 1 1/2 HP 125-250VAC. With an economical double insulated all nylon construction, these switches figure prominently in the Environmental Controls, Marine, Food Service, Vacuum Cleaner and various other general purpose markets with stringent current carrying requirements.



Carling Technologies®

Innovative Designs. Powerful Solutions.

Innovative Designs. Powerful Solutions.

Dielectric Strength

UL/CSA: 1000V - live to dead metal parts & opposite polarity
 TUV: 4000V - live to dead metal parts; 750V - across open contacts

Electrical Life

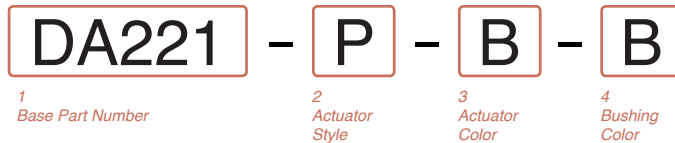
50,000 cycles

Mechanical Life

100,000 cycles

Operating Temperature

32°F to 185°F (0° to 85°C)



1 BASE PART NUMBER: SERIES/CIRCUITRY/RATING¹/TERMINATION		
10A 250VAC, 20A 125VAC, 1 1/2 HP 125-250VAC		
On-None-Off	Solder Lug DA220	.250 Tab DA221
On-None-On	DB220	DB221
On-Off-On	DC220	DC221
		Wire Leads DA225
		DB225
		DC225
5A 250VAC, 10A 125VAC, 1/2 HP 125-250VAC, 4(4) 250VACμ TUV approved		
On-None-Off		Wire Leads DA9451

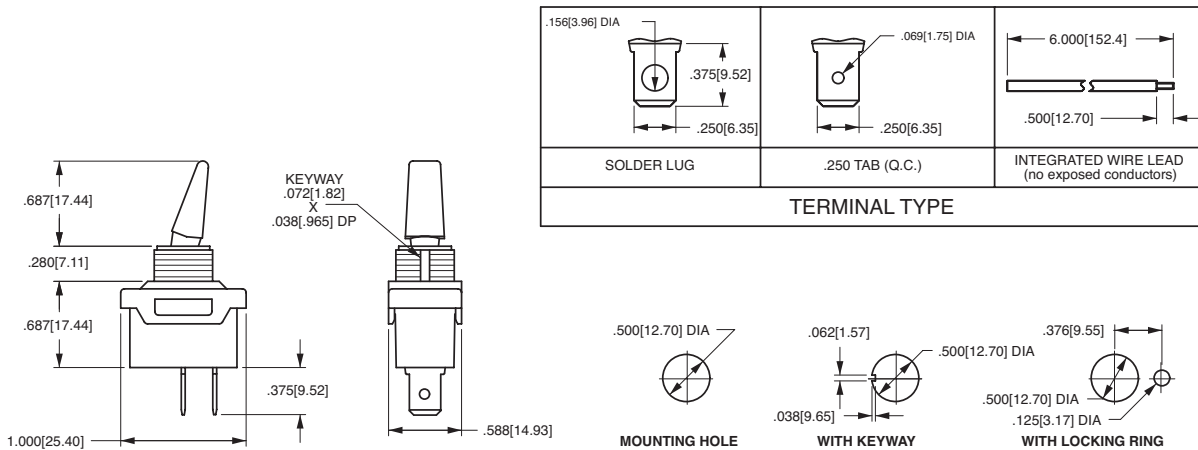
2 ACTUATOR STYLE	
B Bat	P Paddle

3 ACTUATOR COLOR²	
B Black	W White

4 BUSHING COLOR²	
B Black	W White

Notes:

- 1 DA945 available with wire leads and ON-OFF circuit only.
- 2 Additional colors available. Please consult factory.



*Manufacturer reserves the right to change product specification without prior notice.